

Automotive Qualified TJ 175°C 100V & 120V Trench Schottky Surface Mount Rectifier

Automotive-qualified TJ 175°C 100V & 120V Trench Schottky Surface Mount Rectifier. With its advanced trench cell design and AEC-Q101 qualification, this rectifier offers unparalleled reliability and performance for automotive applications. Trust in Taiwan Semiconductor for innovative solutions that meet the highest industry standards.



Official Website



X

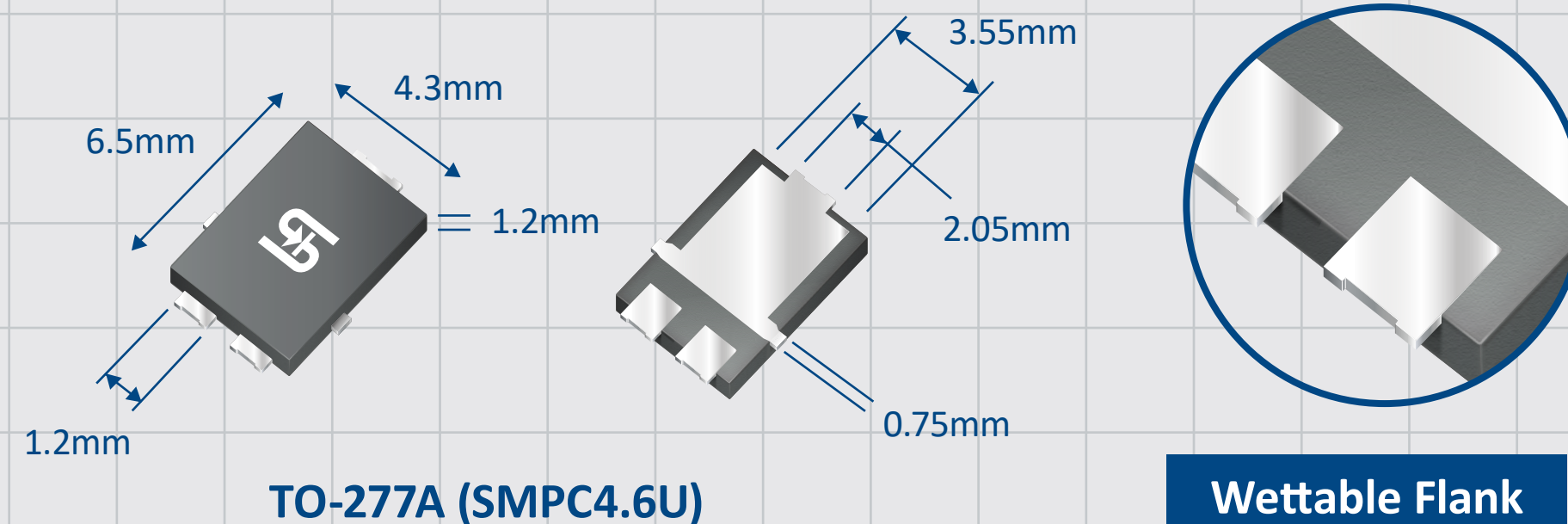


LinkedIn

For more information: marketing@ts.com.tw

© 2024 TAIWAN SEMICONDUCTOR, CO., LTD. ALL RIGHTS RESERVED.

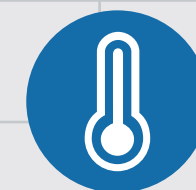
PACKAGE



FEATURES



AUTOMOTIVE
QUALIFIED
AEC-Q101



T_J max, up to
175°C



TRENCH SCHOTTKY
TECHNOLOGY

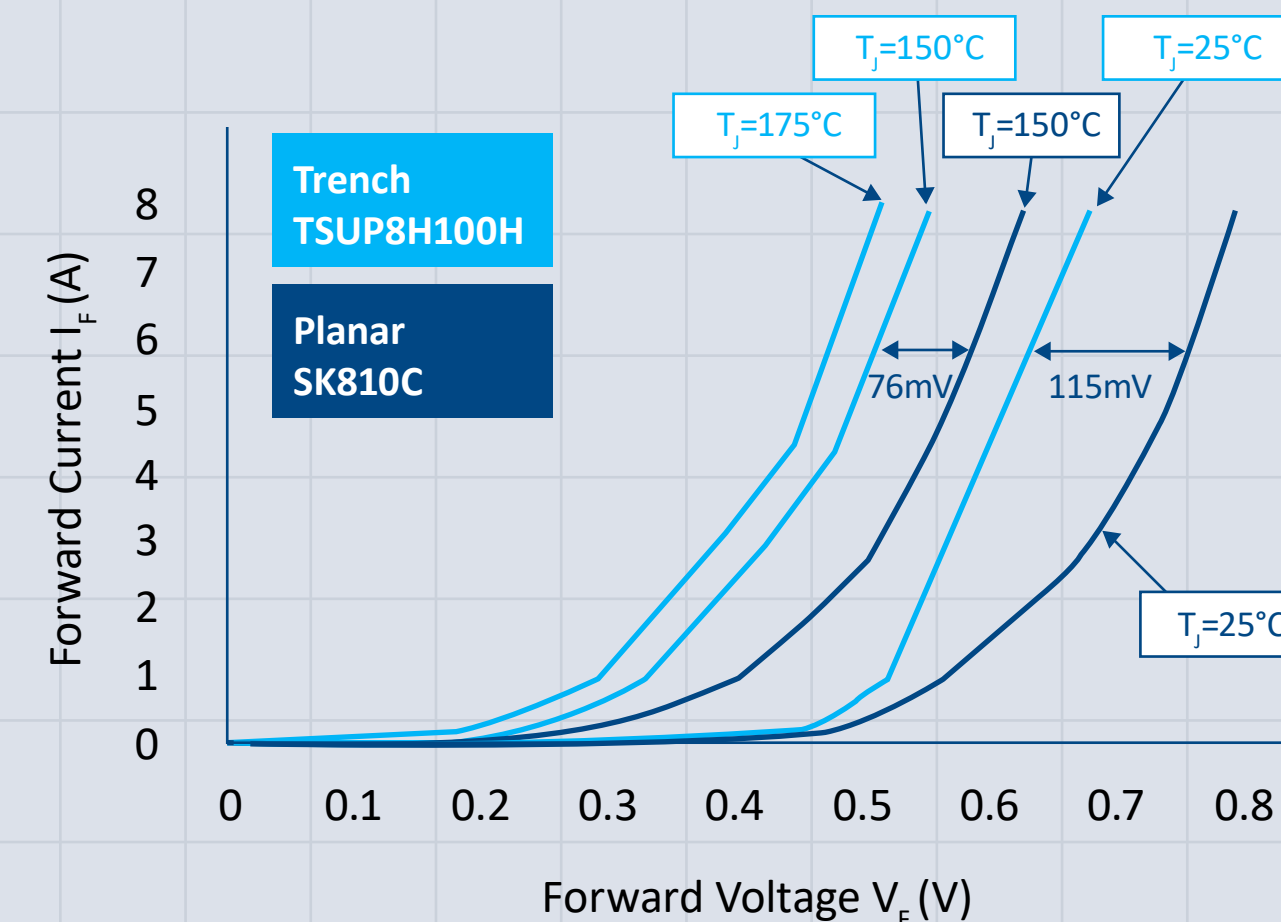


LOW POWER LOSS
HIGH EFFICIENCY

SPECIFICATION

Part number	V _{RRM} (V)	I _F (A)	V _F		I _R @T _A =25°C max.(μA)	I _R @T _A =125°C max.(mA)	I _{FSM} @8.3ms (A)	C _J (pF)
			Typ.(V)	Max.(V)				
TSUP8H100H	100	8	0.71	0.75	50	10	240	583
TSUP10H100H		10	0.71					
TSUP12H100H		12	0.70					
TSUP15H100H		15	0.72					
TSUP8H120H	120	8	0.73	0.76	50	10	240	462
TSUP10H120H		10	0.73					
TSUP12H120H		12	0.72					
TSUP15H120H		15	0.72					

Trench & Planar Schottky V_F Comparison



APPLICATIONS



DC/DC
CONVERTER



SMPS



AUTOMOTIVE



LIGHTING



**TAIWAN
SEMICONDUCTOR**

www.taiwansemi.com